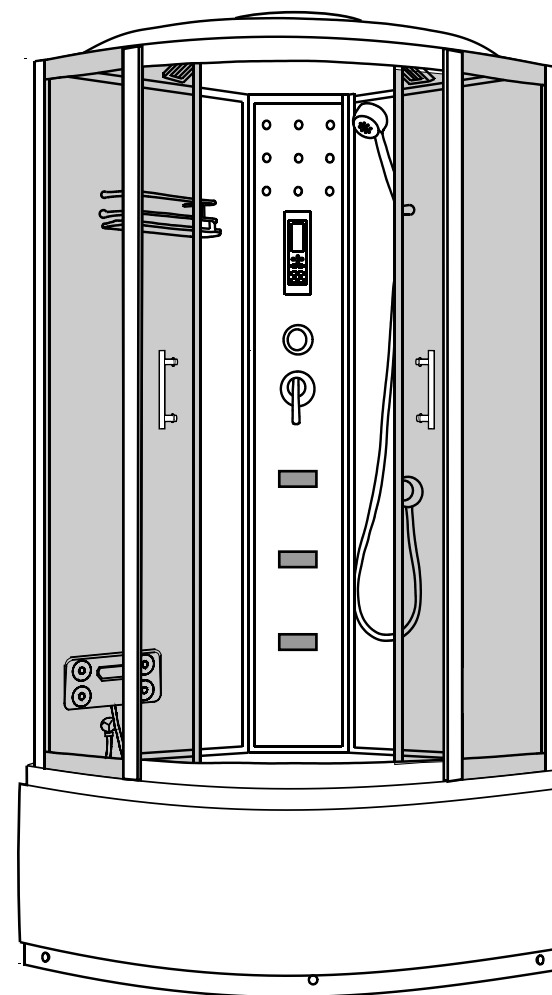
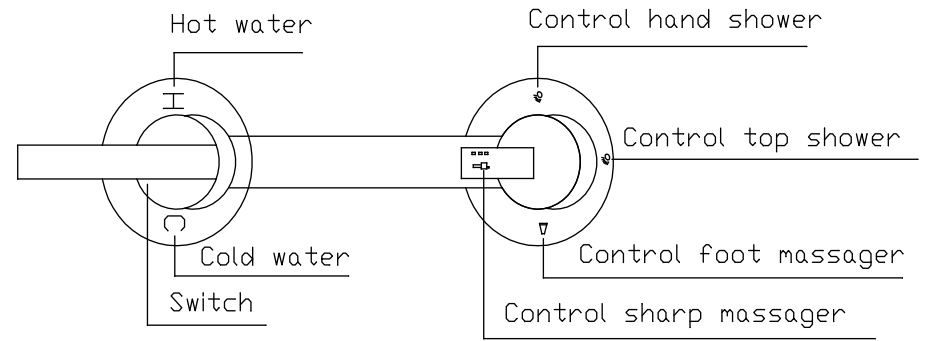
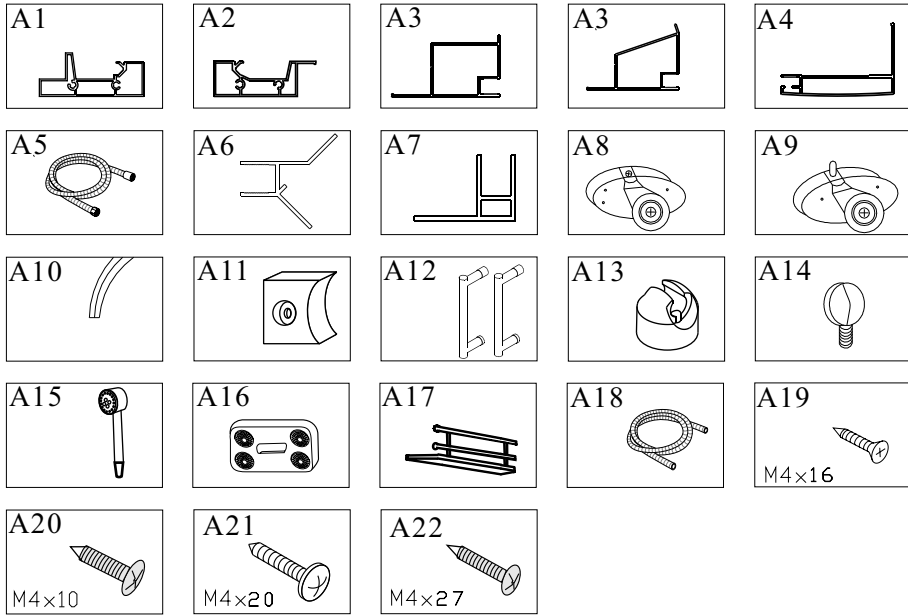


# INSTALLATION MANUAL

---

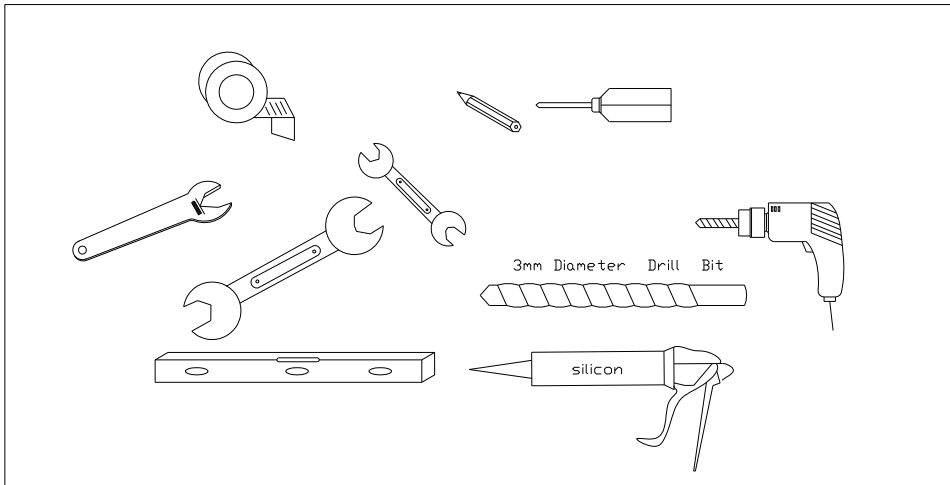


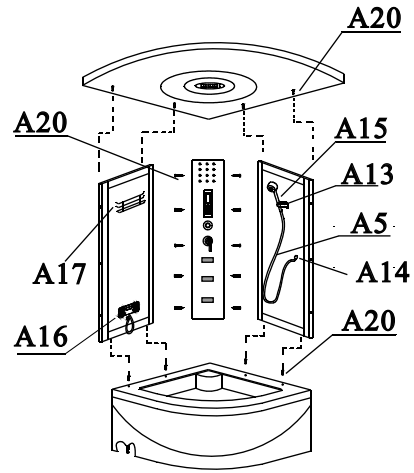
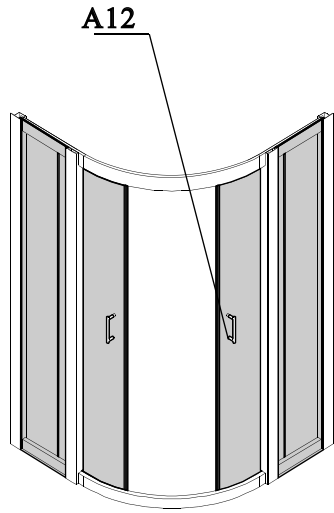
- L-600-A/AS
- L-600-B/BS
- L-601-A/AS
- L-601-B/BS



Using instruction for shower room

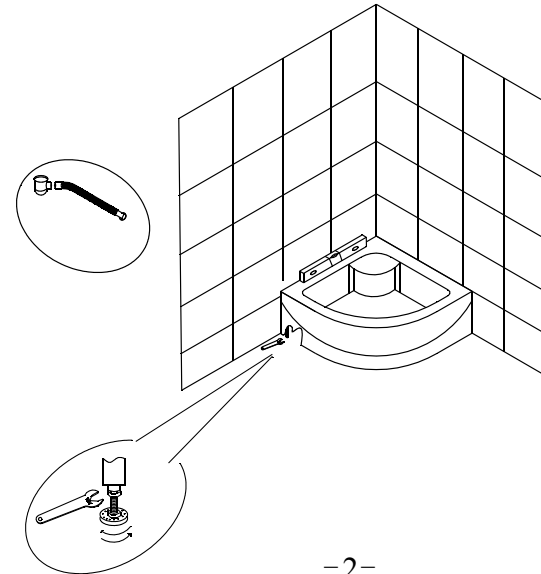
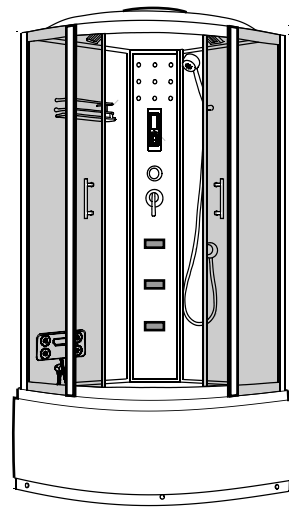
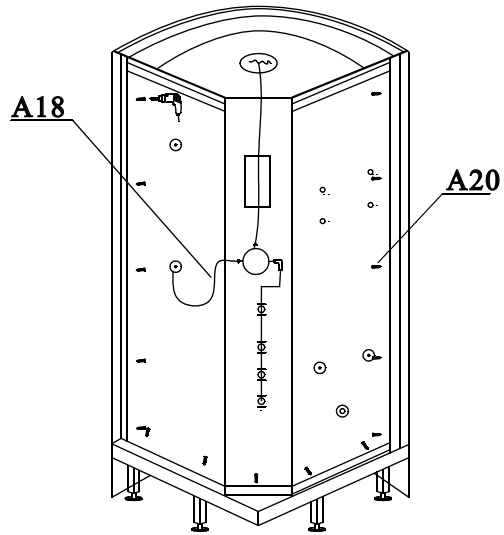
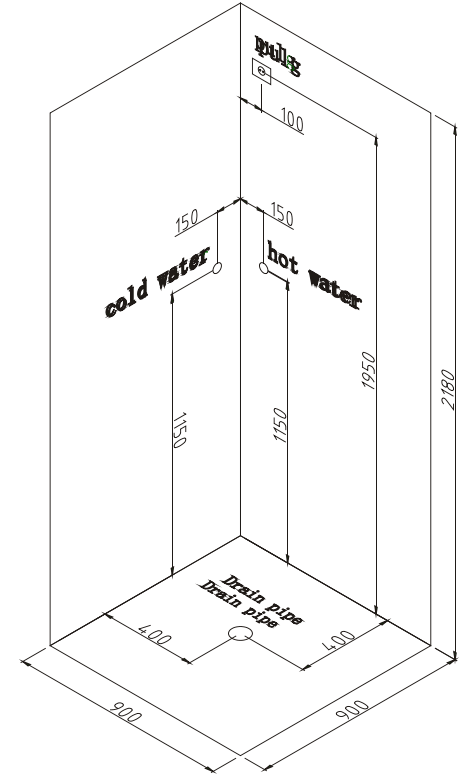
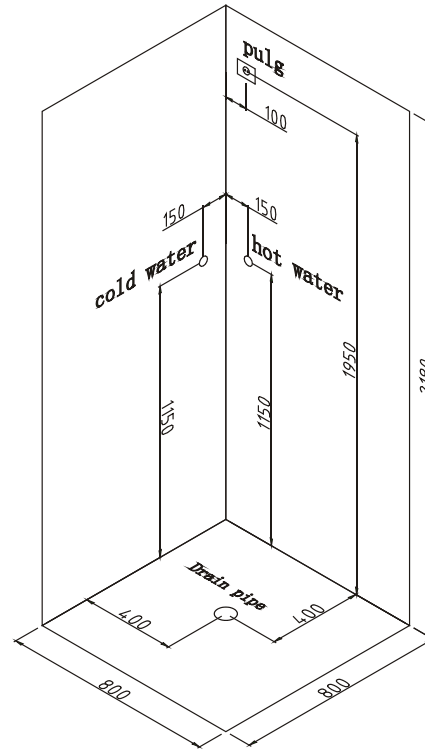
- 1.open the switch,it can djust the hot and cold water by turning into right and left,it is fine when you feel the temperature is ok.
  - 2.Turning the adjuster ,it can control water running from the hand shower , foot massager,sharp massager and top shower.
  - 3.The hydraulic pressure is 0.4 Mpa in every part.
  - 4.Please turn off the power and switch of the shower room after you used it.
  - 5.Please swab the shower room with soft cloth,it will keep new.
- The front and back of shower room are high - quality tampered glass,please don't impact it

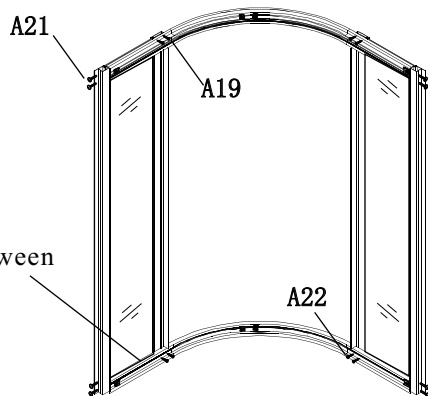
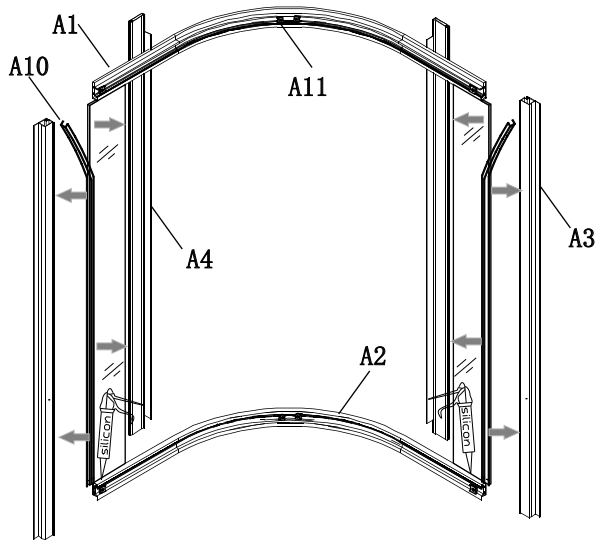
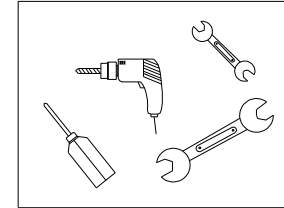
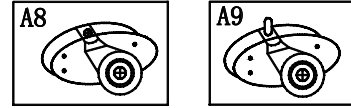
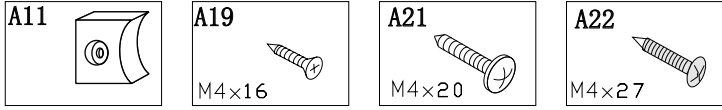
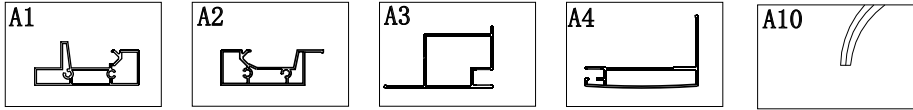




L-600-AS

L-601-AS





The glass cement be used between fixed glass and down track.

