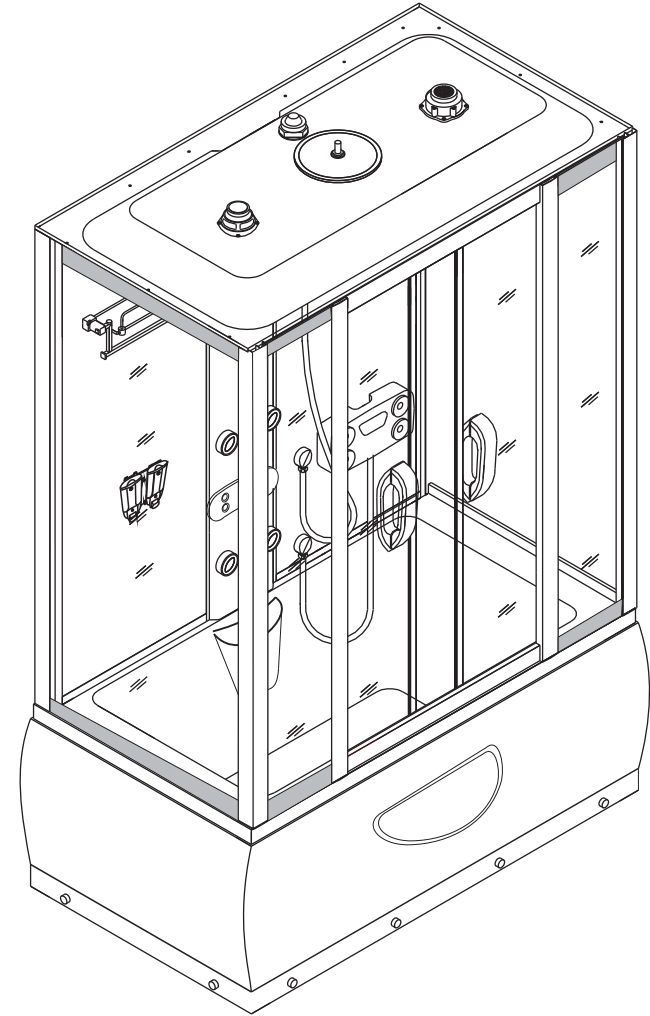


Product specifications are subject to change without notice.  
Use installation instructions supplied with produce.

Thanks for your interesting in our products. Please read the  
instruction carefully before installation.

## MANUAL INSTRUCTION



SIZE : 1670X850X2200mm

# Installation instruction

## 1.Reminding

(1).Please install the shower room according to the instruction strictly to avoid unstable and damage problems.

(2).Please count all the spare parts,and lay the glass side by the wall vertically.

(3).Do not knock the glass to avoid broken.

## 2.Attention

(1).Please do not let children to enter into the shower room alone.

(2).Do not shinny the shower room or hang heavy things on the enclosure.

(3).Do not knock or rub the glass with heavy items.

(4).Pay attention to your head when you enter into or out the room.

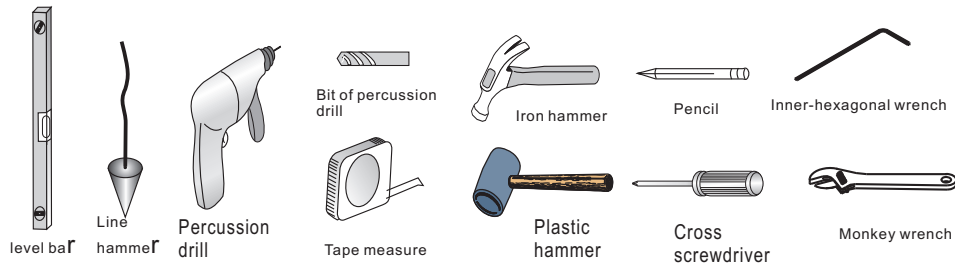
(5).Pay attention to the wet tray to avoid slipping.

(6).keep the shower room well ventilated to avoid mildewy itms.

(7).Shower room can be cleaned with nonabrasive bathroom cleaner (washer,soap and water) or any glass cleaner you use elsewhere in your home usually,Never use any type of abrasive cleaner,alcohol, banana oil, and acetone and so on.

(8).While the old,child, sick and disabled use this shower booth,they must be supervised by person in charge.

## 3.Install tools



## 4.Electric specificarton(without steam)

V	Hz	KW	A
220/110	50/60	0.03	0.15/0.3

## Steam electric specificarton

V	Hz	KW	A
220/110	50/60	3	14/28

# 13. Failure and the countermeasure

Once there is any failur as following, please check it according to the following countermeasures,if it is also exist,please contact the sales agents in our local area.

phenomena	cause	countermeasures
No power	1.no connecting	1.check the power supply
	2.plug	2.check the plug
	3.fuse wire	3.replace the fuse wire
No noise	1.problem with plug	1.check the plug
	2.speaker broken	2.replace or maintains
No radio	1.antenna disconnection	1.connecting the antenna
	2.circuit board	2.maintains or replace
	3.antenna	3.adjust the position of antenna
No light	1.bulb	1.replace
	2.plug	2.check the plug
No exhaust	1.ventilator	1.replace
	2.plug	2.check the plug

## 12.CLEAN AND MAINTENANCE

1. You can use common liquid detergent and soft cloth to clean integrated shower booth instead of detergent containing acetone and ammonia. If there is glue on the surface of booth, you can use soft cloth with a little of gasoline to remove it.
2. If there is scratch on the surface of booth, can use 1500#—2000# waterproof abrasive paper to grind it, then coat toothpaste and polish it with soft cloth.
3. For gold-plating and aluminum-plating parts, no need to wipe them frequently.
4. Do not use rough utensil or detergent containing chemical solvent and pellet to clean the surface of booth.
5. Do not use utensil and knife to knock booth.

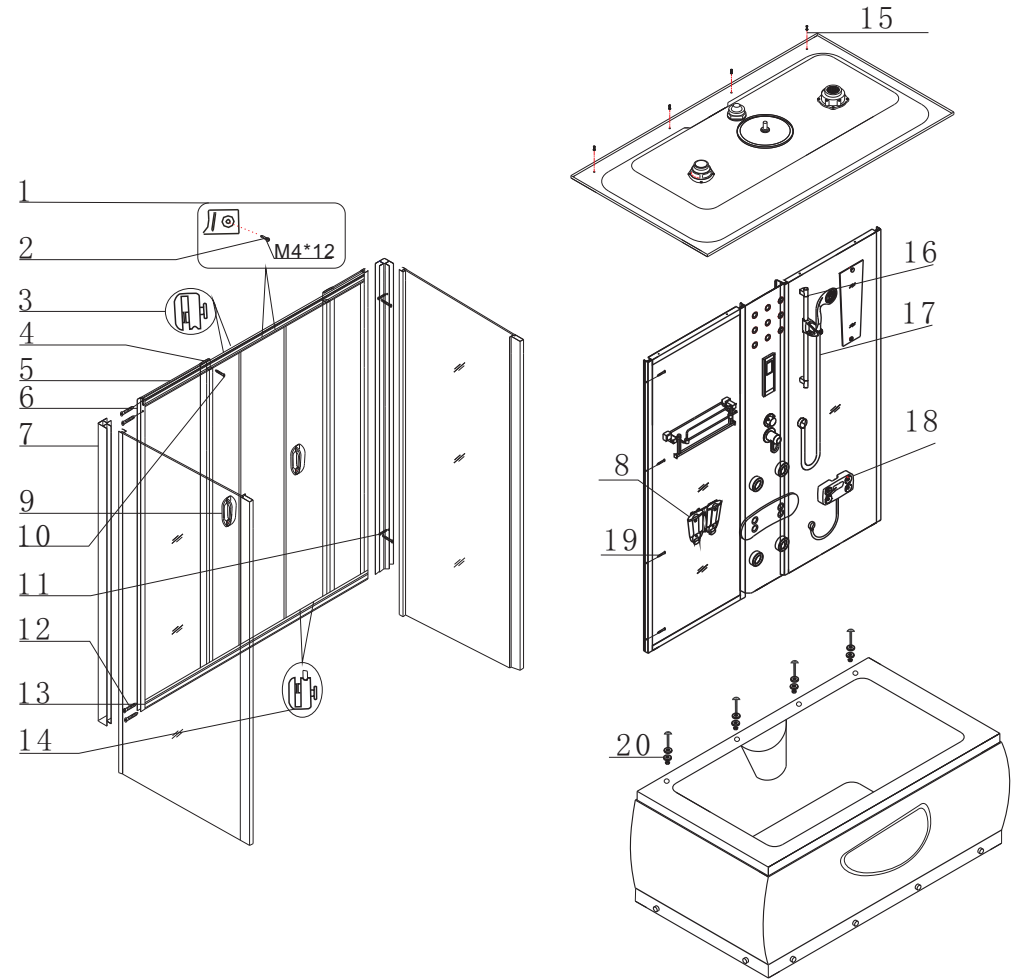
### NOTICE OF TRANSPORTATION AND STORAGE

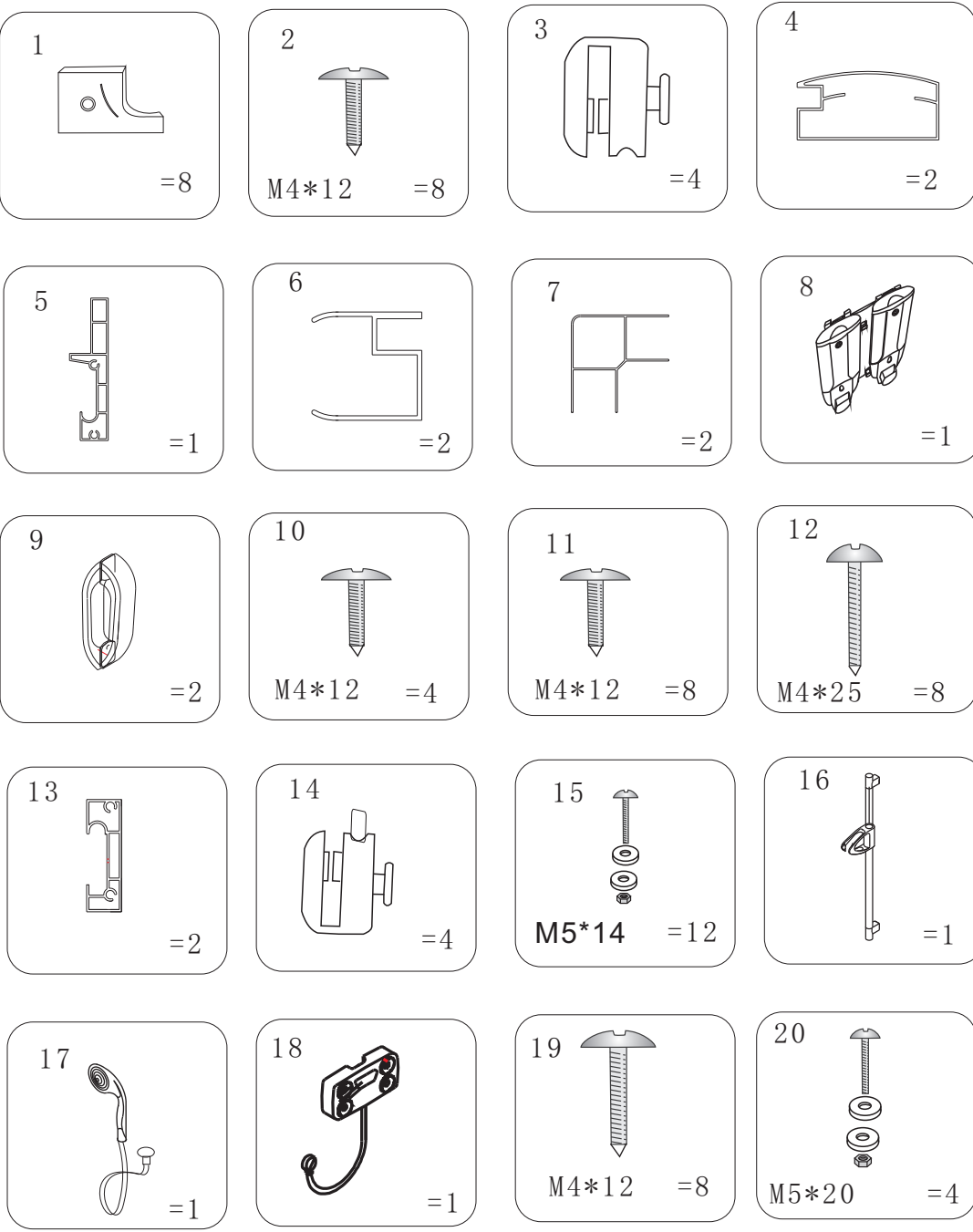
1. While storing, keep upright and avoid overlapping. Prohibit to mix it with organic solvent such as formic acid and formaldehyde, etc.
2. While transporting, must handle gently and avoid stress, mechanical collision and violent shake.
3. If do not use for a long time, must keep dry and ventilated and away from corrosive gas.

## 5.Accessories

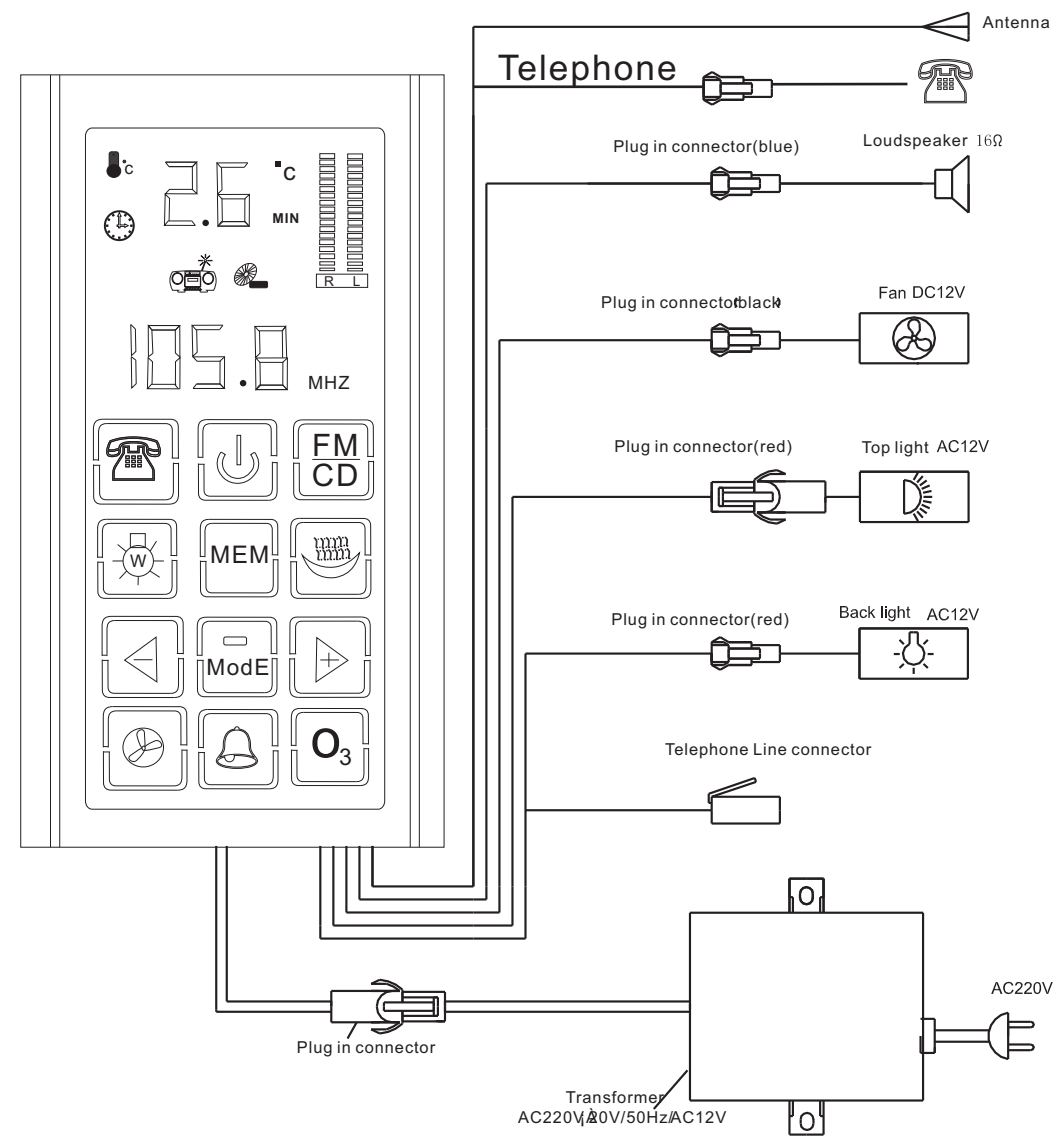
(1).Check the 4 cantin boxes one for roof and tray,one for back pillar,one for back glass,one for front glass

(2).

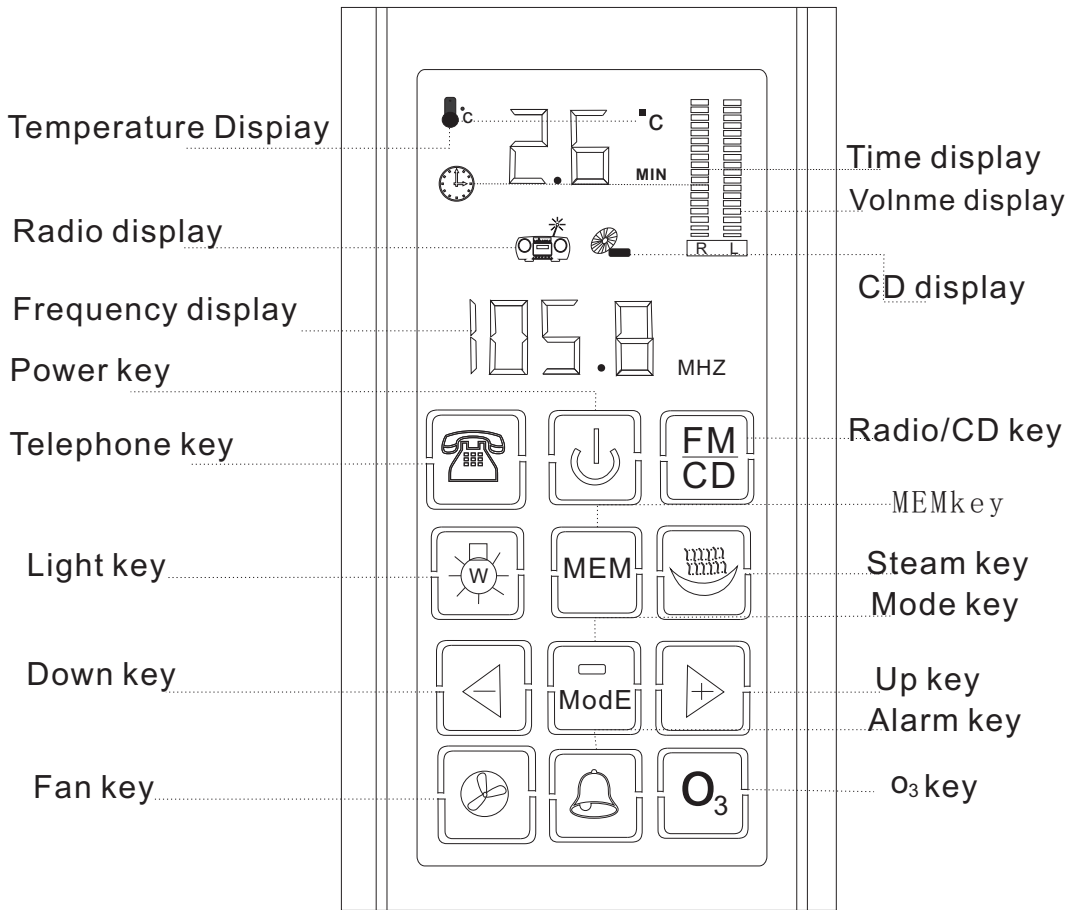




# 11.Connection picture



# 10.PC panel instruction

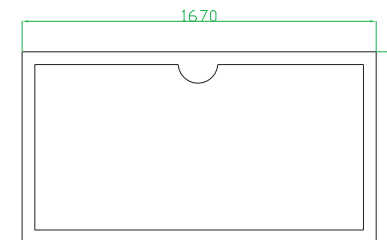
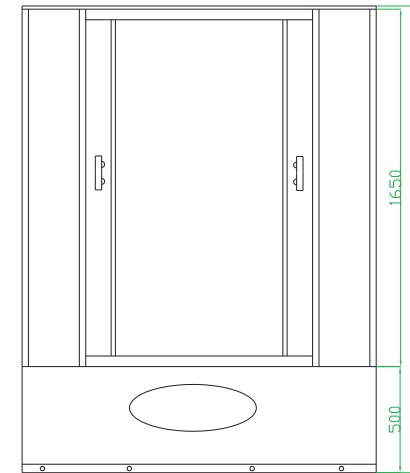
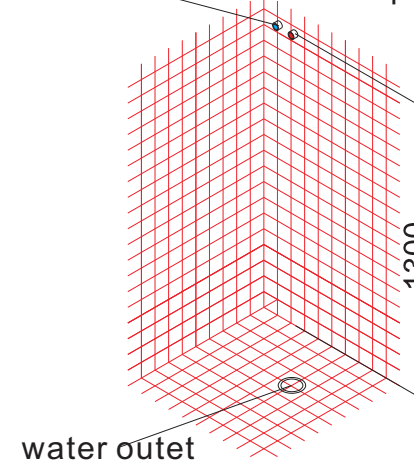


**NOTICE:**

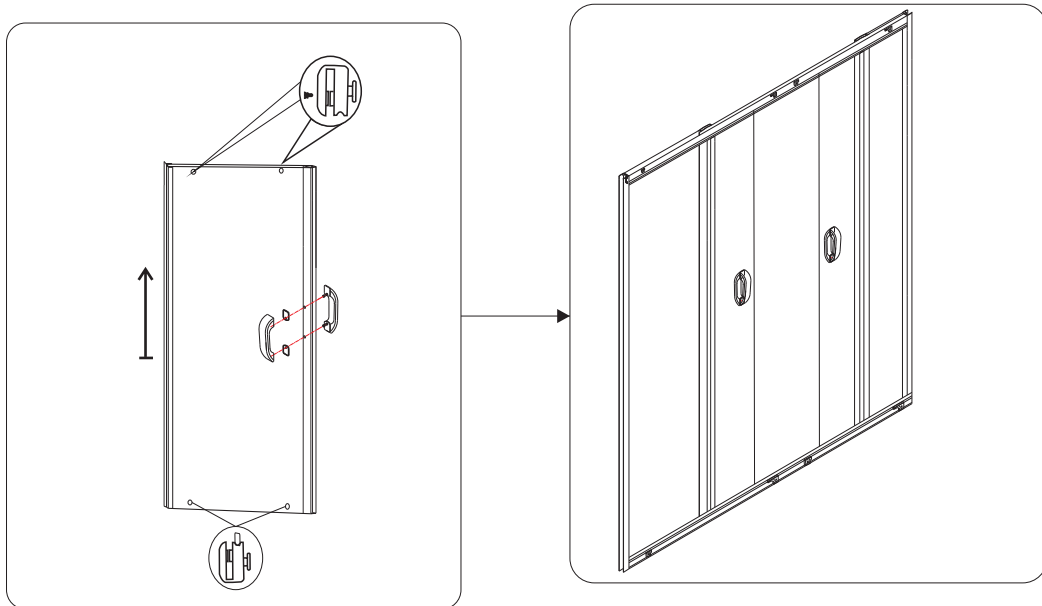
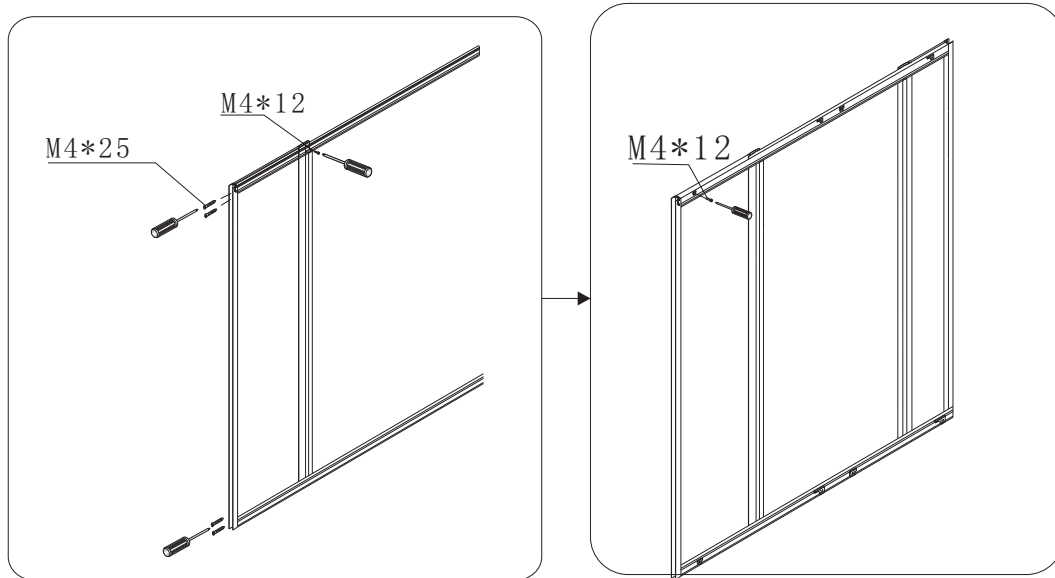
If the anomaly occurred, cut off power, and ask the electrician to check and repair, do not disassemble and repair by yourself.

# 6.preparation

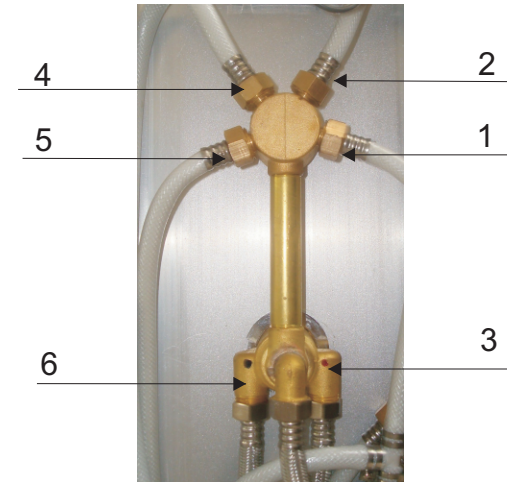
Cool and hot water pipe connectors)



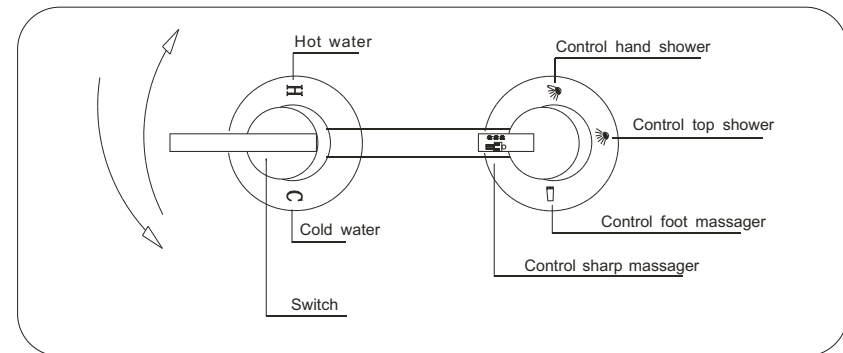
7.Step1



9.



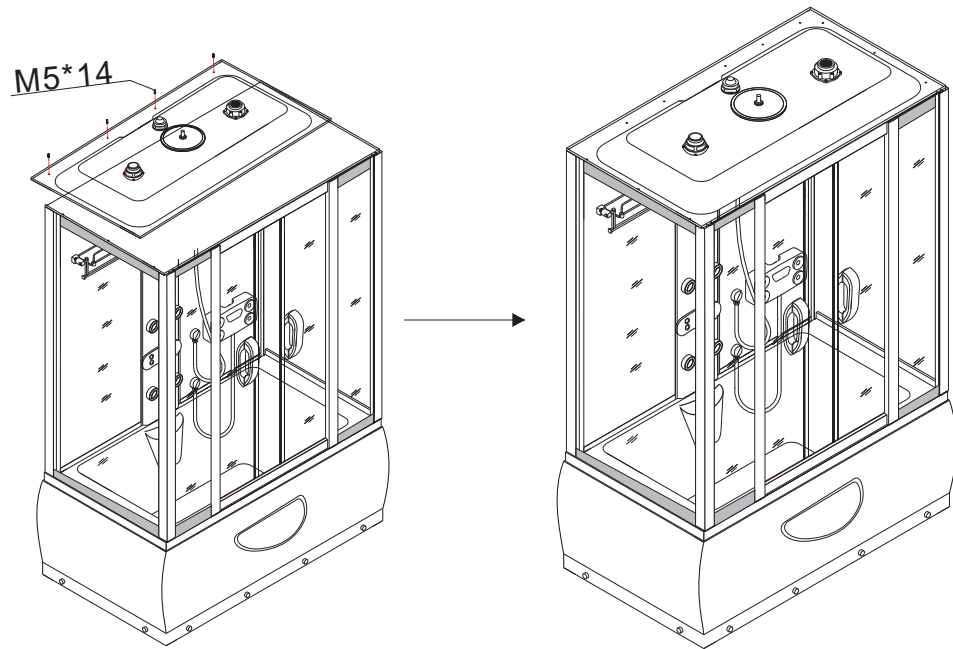
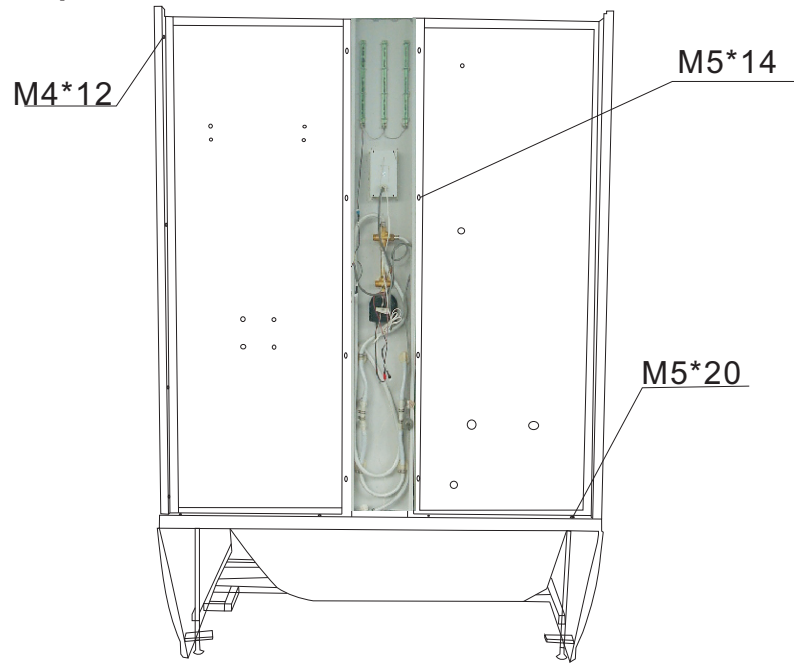
- 1: water hose for foot massage    2. backmassage connector  
 3: hose for cold water    4: hose for connecting top shower  
 5: hose for connecting handle shower    6: hose for hot water



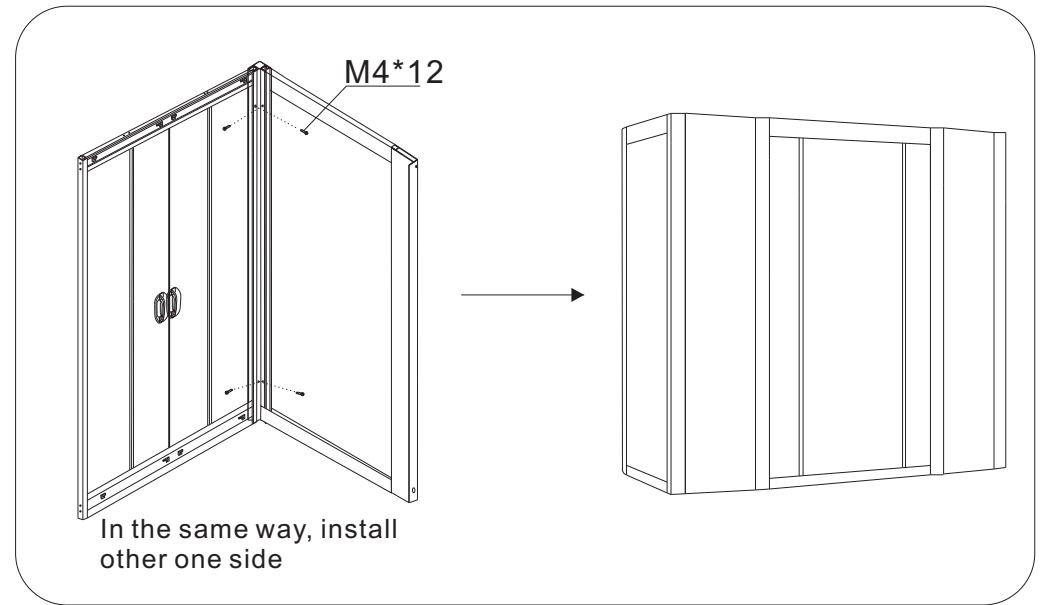
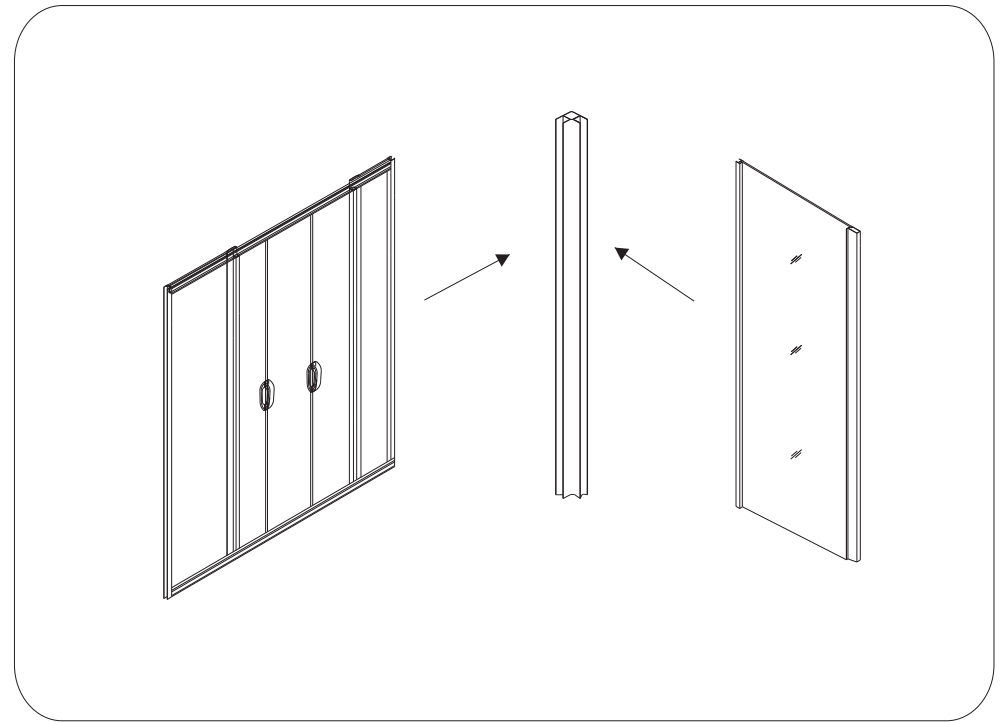
**Using instruction for shower room**

1. open the switch, it can adjust the hot and cold water by turning into right and left, it is fine when you feel the temperature is ok
2. Turning the adjuster, it can control water running from the hand shower, foot massager, sharp massager and top shower.
3. The hydraulic pressure is 0.4Mpa in every part.

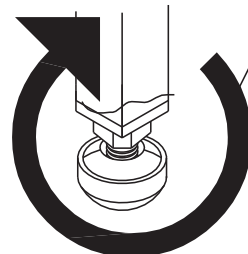
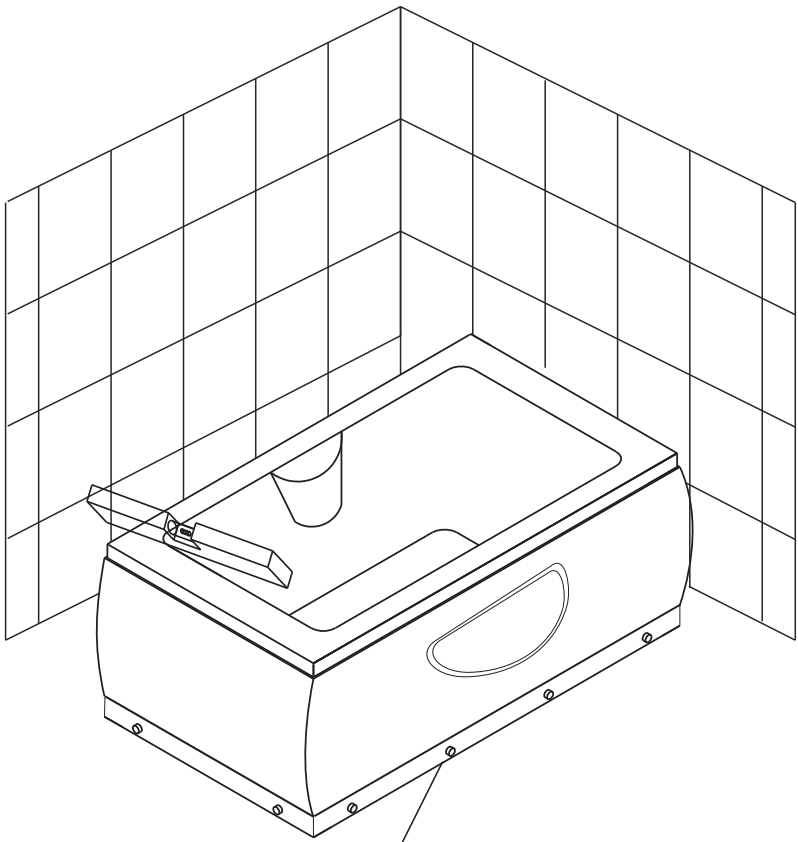
### 8. Step3



### 7Step2.



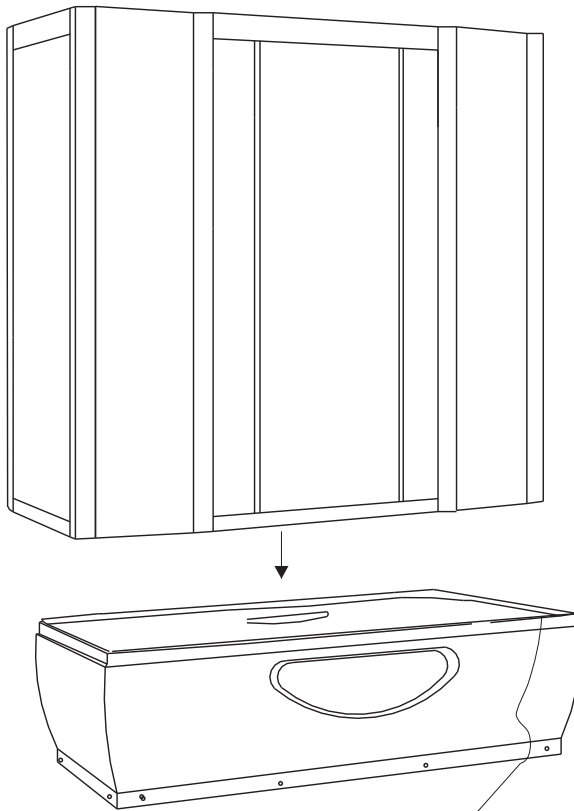
# 8.Setp1



adjust

# 8.Step2

(1).



Note:there is a film on the surface of the way, please take off the film before putting the shower enclosure on the tray.